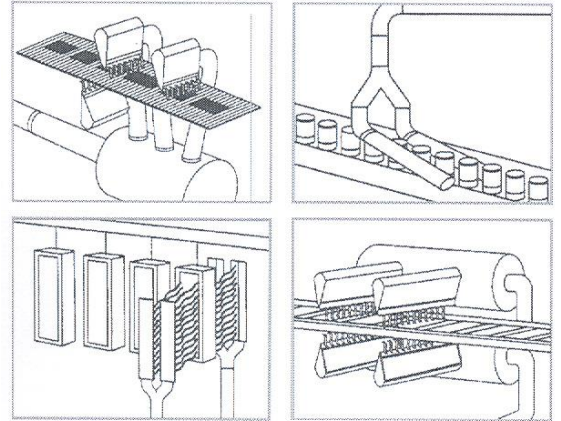
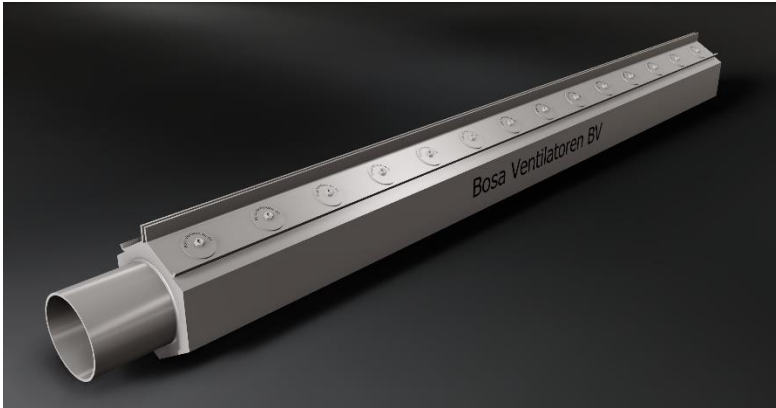


Stainless steel Air knives



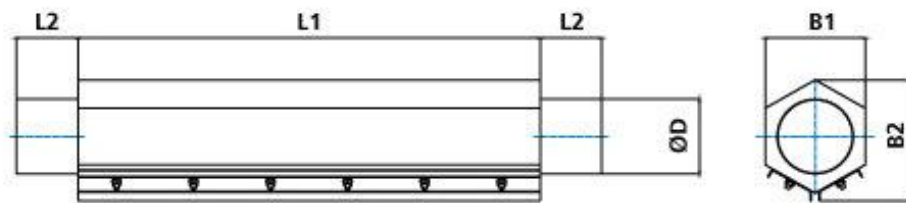
This stainless steel air knives can create a perfect favorable airflow.

By the special construction of this knife has a high blowing volume with low air consumption. Great for drying, cooling and cleaning.

Available in different lengths.

Working air gap from 1 to 10 mm. adjustable.

Standard connection is $\varnothing 50$ or $\varnothing 100$ mm. But $\varnothing 110$ mm. is also available.



Type	L1	L2	D	B1	B2
LM 200/50	200	80	50	130	170
LM 400/50	400	80	50	130	170
LM 400/100	400	80	100	130	170
LM 600/100	600	80	100	130	170
LM 800/100	800	80	100	130	170
LM 1000/100	1000	80	100	130	170
LM 1200/100	1200	80	100	130	170
LM 1500/100	1500	80	100	130	170
LM 1600/100	1600	80	100	130	170
LM 1800/100	1800	80	100	130	170
LM 2000/100	2000	80	100	130	170

All dimensions in mm.

bosa ventilatoren bv